

嵌入式单板电脑, ESBC系列

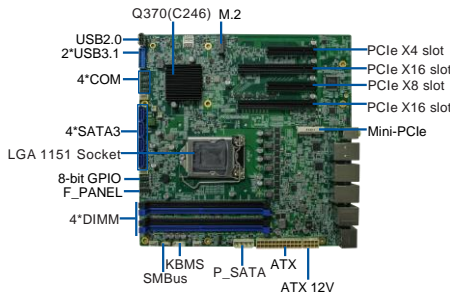
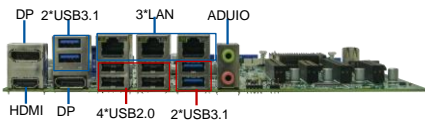
MATX-I961

Intel® Coffee Lake-R LGA1151 CPU, MicroATX, HDMI, 2*DP, 3*LAN, 4*COM 6*USB3.1, 7*USB2.0, 4*SATA3.0, ATX Power, Workstation grade performance.



Key Features

- Intel® Xeon® E or 9th/8th Gen Core™ i9/i7/i5/i3 processor
- Intel® Q370/C246 Chipset
- 4*DDR4 2666/2400MHz DIMM, 最大128GB
- 2*DP, 1*HDMI, 支持3独立显示
- 3*LAN, 6*USB3.1 Gen2, 7*USB2.0, 4*COM
- 1*PCIeX16 or 2*PCIeX8+2*PCIeX4 扩展
- 1*Mini PCIe, 带SIM卡槽, 支持4G/WIFI/GPS/GSM/BT
- 4*SATA3.0, 1*M.2 2280 M-Key(PCIe X4)
- 支持TPM 2.0安全加密, 支持AMT12.0, Intel® Vpro技术
- ATX Power (12V/5V/3.3V)



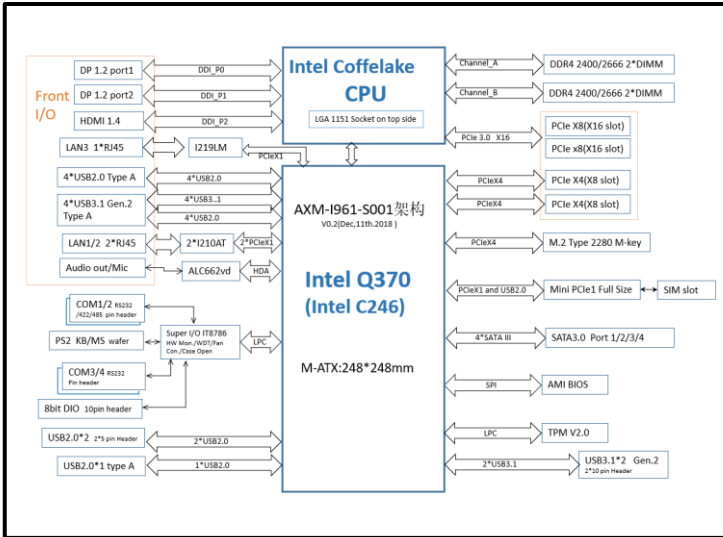
规格

系统	CPU	Intel® Xeon® E or 9th/8th-Gen Core™ i9/i7/i5/i3 LGA1151 processor, 最高8核心16线程
	芯片组	Intel® C246/Intel® Q370
	系统内存	4*288-Pin DIMM, 双通道DDR4 2666/2400MHz, 最大128GB
	扩展接口	1*全长Mini PCIe (PCIeX1+USB信号) 带SIM卡槽 2*PCIe X16 slot (Gen3, 支持1*PCIe X16, 若另一个插槽也接上设备则自动变成2*PCIe X8) 2*PCIe X8 slot (Gen3, 2*PCIe X4信号) 1*M.2 2280 M-key(Gen3, PCIe X4)
	显示	Intel UHD Graphics, Supports DirectX11.1, OpenGL 5.0 and OpenCL 2.1 DP最高分辨率4096*2304@60Hz, HDMI最高分辨率3840*2160@30Hz, 支持3独立显示
	音频	Realtek ALC662VD芯片, 支持5.1声道
	以太网	2*Intel I210AT PCIe千兆网, 10/100/1000Mbps 1*Intel I219LM PCIe千兆网, 10/100/1000Mbps, 支持AMT12.0, 支持iVpro技术
	键盘&鼠标	PS/2 & USB类键盘鼠标
	存储	4*SATA3, 6.0Gbps HDD/SSD 支持Raid 0/1/5/10 1*M.2 2280 M-key(PCIe X4), 支持NVMe 存储
	DIO	8位TTL信号, 可编程输入输出
	板内I/O	2*USB3.1 Gen2, 1*USB2.0 type A, 2*USB2.0插针, 4*COM插针, PS/2 wafer 1*F_PANEL插针(Power SW, Reset, LED, HDD LED), 8位DIO, 1*SM bus
	板边I/O	3*RJ45 Gig-LAN 4*USB3.1 Gen2 Type A, 4*USB2.0 Audio out, Mic 1*HDMI +2*DP
	开关&LED	板内插针信号(Power SW, Reset, Power LED, HDD LED)
	安全	支持Infineon TPM2.0
	电源要求	24-pin ATX/8-pin ATX 12V, 功耗: 374W (I7-8700, 16GB DDR, 2*4TB硬盘, GTX-1660显卡)
	看门狗定时器	可编程超时中断或系统复位, 1到255秒
操作系统	Windows* 10 Enterprise & IOT Enterprise (64 位) (CFL-R) Windows* Server 2016 (Intel® Xeon® E) Ubuntu*、SuSe*、Redhat Enterprise* 1,2 (Kernel 4.14) (CFL-R) Wind River* VxWorks* 7 (CFL-R)	

*All specifications and photos are subject to change without notice.

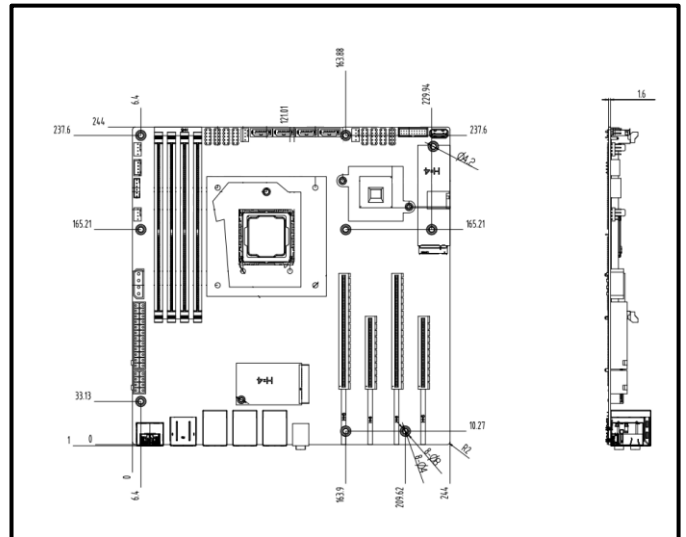
机构环境	尺寸	(W*H): 244*244mm
	厚度	正面: 30.80mm; PCB: 1.6mm
	工作温度	0°C ~ 60°C
	存储温度	-40°C ~ 85°C
	存储湿度	10~90%@40°C, 无冷凝
认证/EMC	CE/FCC Class B	

架构图



尺寸图

单位:mm



订购信息

型号	具体规格
MATX-1961/S001	嵌入式单板电脑, Intel® Q370+Coffeelake-R LGA1151 CPU, 3*LAN, 6*USB3.1, 7*USB2.0, 4*COM, 1*Mini PCIe, 1*M.2 2280 M-Key, 8位DIO, 1*PCIe X16(or 2*PCIeX8), 2*PCIe X4, 1*HDMI, 2*DP, Audio out, Mic, PS/2, 4*SATA3, 24-pin ATX/8-pin ATX 12V
MATX-1961/S002	嵌入式单板电脑, Intel® C246+Coffeelake-R LGA1151-R CPU, 3*LAN, 6*USB3.1, 7*USB2.0, 4*COM, 1*Mini PCIe, 1*M.2 2280 M-Key, 8位DIO, 1*PCIe X16(or 2*PCIeX8), 2*PCIe X4, 1*HDMI, 2*DP, Audio out, Mic, PS/2, 4*SATA3, 24-pin ATX/8-pin ATX 12V

支持CPU列表

Series	Intel® Xeon®		Intel® Core™						Intel® Pentium®		Intel® Celeron®	
	Model	Core/Threads	Model	Core/Threads	Model	Core/Threads	Model	Core/Threads	Model	Core/Threads	Model	Core/Threads
9th Gen	E-2278G	8C/16T	I9-9900K	8C/16T	I9-9900	8C/16T	I7-9700K	8C/8T	G5500	2C/4T	G4950	2C/2T
	E-2224G	8C/16T	I7-9700	8C/8T	I7-9700T	8C/8T	I5-9500	6C/6T				
			I5-9500T	6C/6T	I3-9100	4C/4T	I3-9100T	4C/4T				
8th Gen	E-2176G	6C/12T	I7-8700K	6C/12T	I7-8700	6C/12T	I7-8700T	6C/12T	G5400	2C/4T	G4930	2C/2T
	E-2124G	4C/4T			I5-8500	6C/6T	I5-8500T	6C/6T				
					I3-8100	4C/4T	I3-8100T	4C/4T				

*All specifications and photos are subject to change without notice.

www.jhctech.net © 2019 Jhctech.Co., Ltd. All rights reserved.

Updated Oct. 28th, 2021